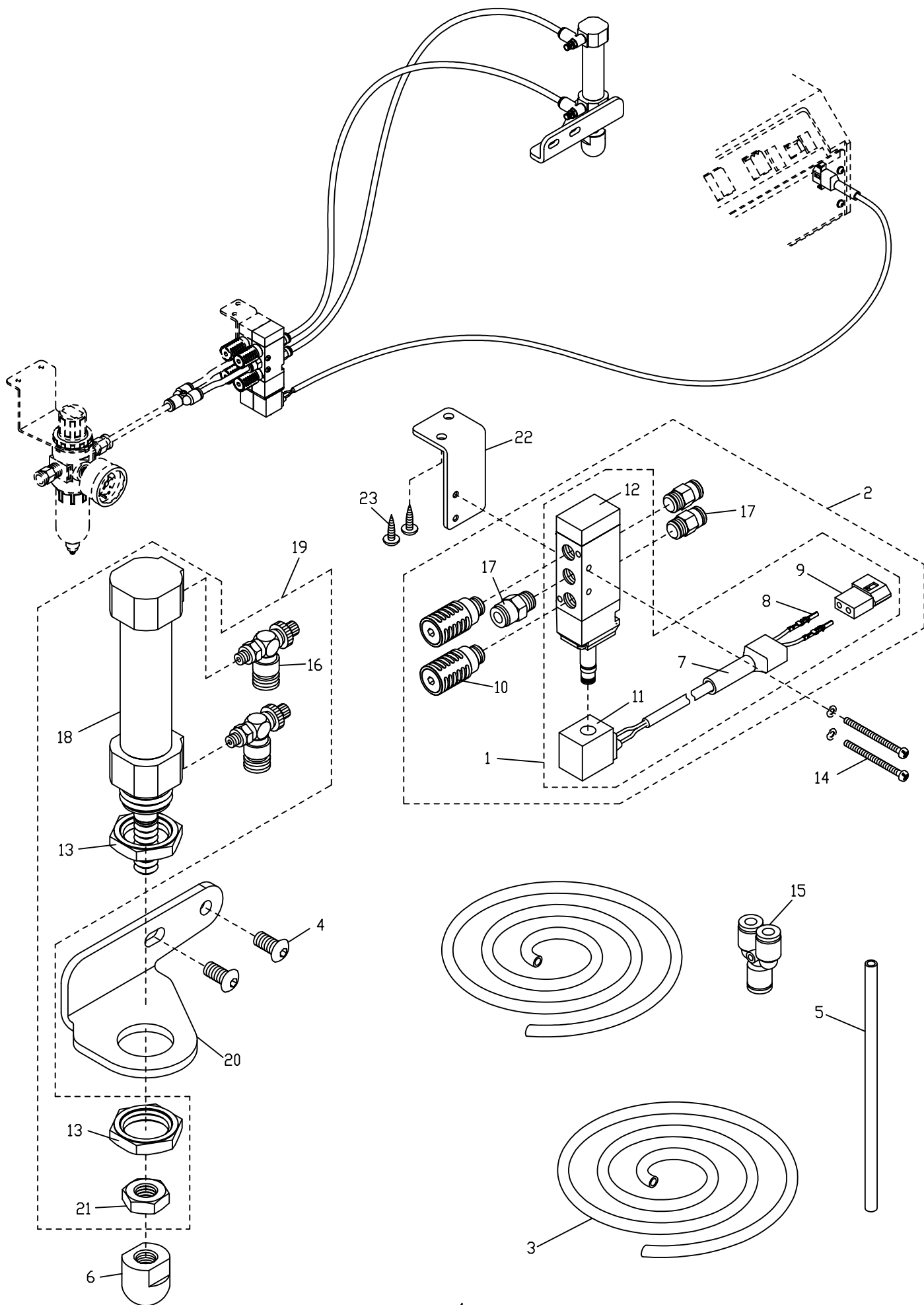


# 1.AL03F 氣動式壓腳提升裝置 (伺服馬達用)

## Pneumatic Presser Foot Lifter For AL03F ( A/C Servo Motor Uses )



# 1. AL03F 氣動式壓腳提昇裝置 ( 伺服馬達用 )

## Pneumatic Presser Foot Lifter For AL03F ( A/C Servo Motor Uses )

序號 Ref.No.	物料編號 Parts No.	名稱 Description	單位用量 Amt.Req.
1	4AL03BA0101	換向閥組 Electromagnetic Valve Asm. -----	1
2	4AL03BA0102	換向閥組 Electromagnetic Valve Asm. -----	1
3	91060101005	φ 6空氣管 Air Tube ( L= 800mm ) -----	2
4	8MP06401211A	螺絲 Screw (UTB0302 M6-1*12) -----	2
5	91060101005	φ 6空氣管 Air Tube ( L= 150mm ) -----	1
6	4PFE010113	套管 Clutch Sleeve -----	1
7	4AL013013	連接器套頭2P Power cord cap -----	1
8	4AL013015	母端子 Power cord -----	2
9	4AL013017	2P母扣連接器 Power cord -----	1
10	4PA0000310	消音器 Silencer -----	2
11	4PA0000314	線圈 Solenoid (DC 24V) -----	1
12	4PA0000315	換向閥 Electromagnetic Valve -----	1
13	8MA22600630A	螺帽 Nut ( M22-1.5*6 ) -----	2
14	8MC03204006D	螺絲 Screw (CS0211 M3-0.5*40) -----	2
15	4TC012016	φ 6 Y型管接頭 Y Connector -----	1
16	4UTB000305	節流閥 Speed Controller -----	2
17	4UTB000312	φ 6空氣管接頭 Connector -----	3
18	4UTB02F0223	氣壓缸 Cylinder -----	1
19	4UTB02FA0217	氣壓缸組 Cylinder Asm-----	1
20	4UTB02F0216	固定座 Bracket Holder-----	1
21	8MA10600617A	螺帽 Nut -----	1
22	4TC00103011	楔片座 Wedge Seat -----	1
23	8WD30000015B	木螺絲 Wood Screw -----	2

AL03F : FTU7003 / TC□ 機型並配合伺服馬達使用 <型號i60 ,i70 >

Must be used together with AC servo motor, i60 or i70 , for FTU7003 / / TC□ models.